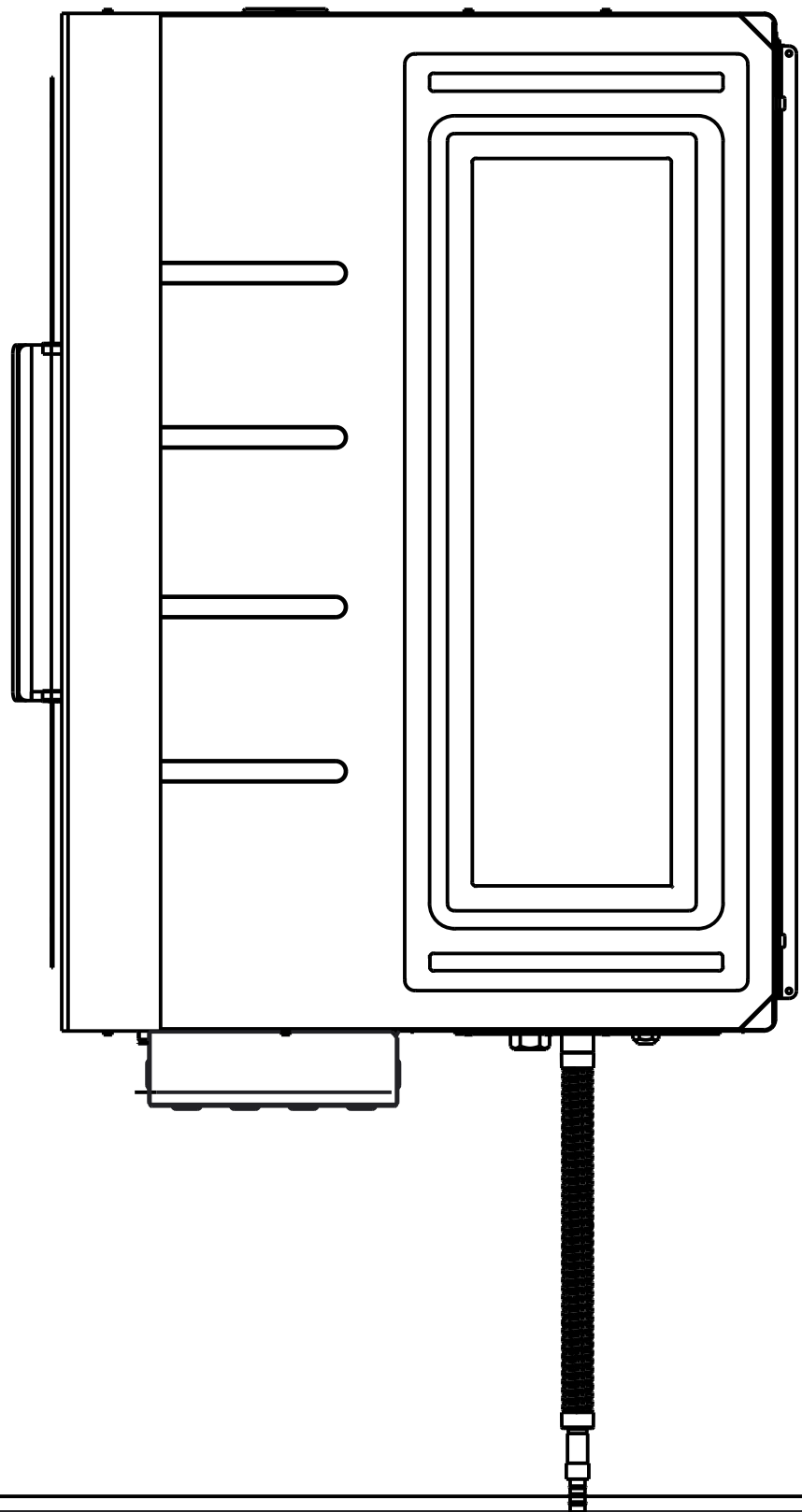


electrical service cover

SCALE 3:20



this indoor unit is for the models:
wind inverter 65/3